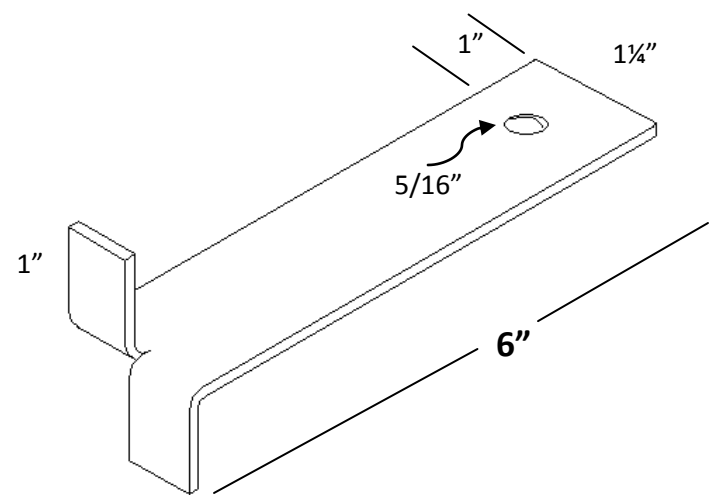


1/4" x 4, 1/4" x 6,
 3/8" x 3, 3/8" x 4, 3/8" x 6,
 1/2" x 4, 1/2" x 6"



**ALL FLAT ANCHORS ARE 1/8" THICK TYPE 304 STAINLESS
 STOCK SIZES SHOWN, SPECIAL ORDER SIZES AVAILABLE ON REQUEST**